

leboulch



www.leboulch.com

GOLIATH evolution

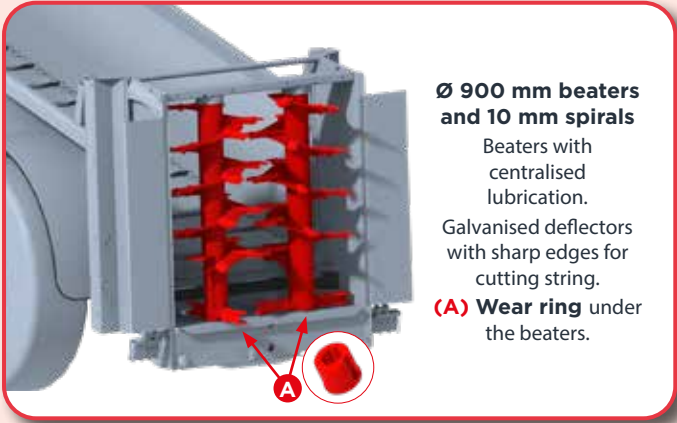
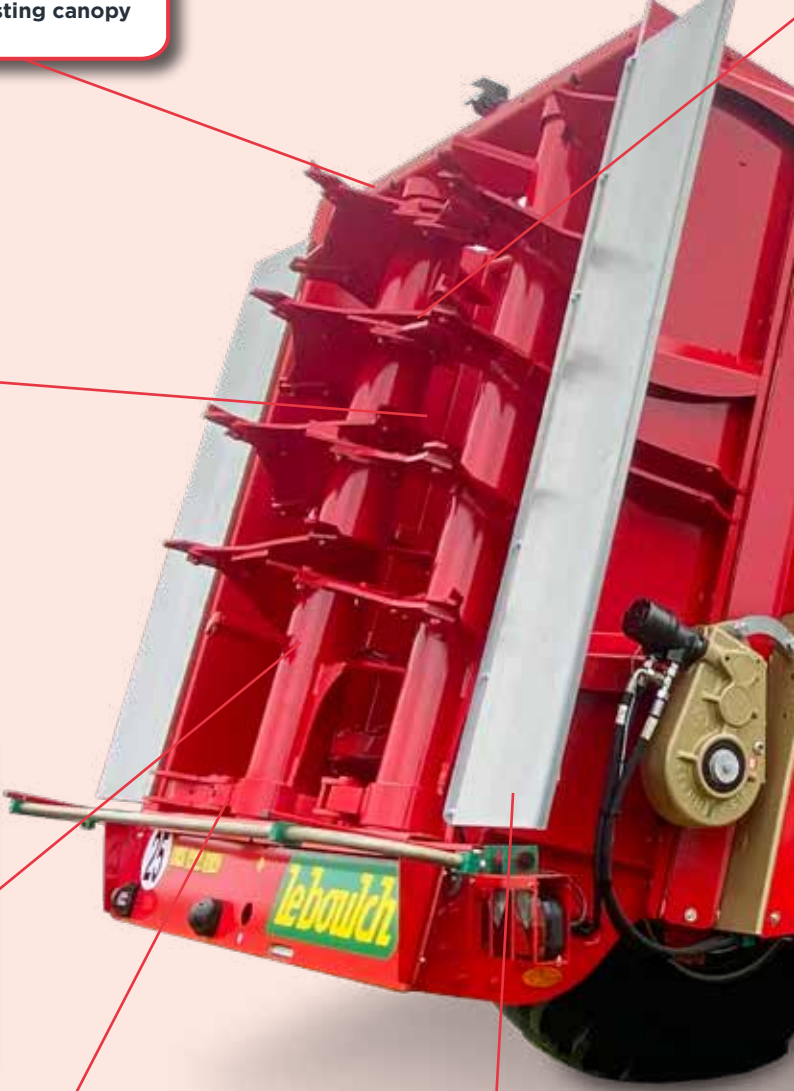
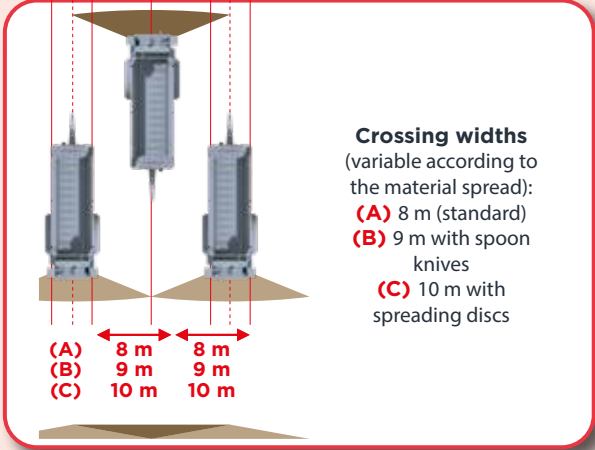
PROFESSIONAL MUCK SPREADER FOR CONTRACTORS



Leboulch, experience and sturdiness for the most demanding farmers!

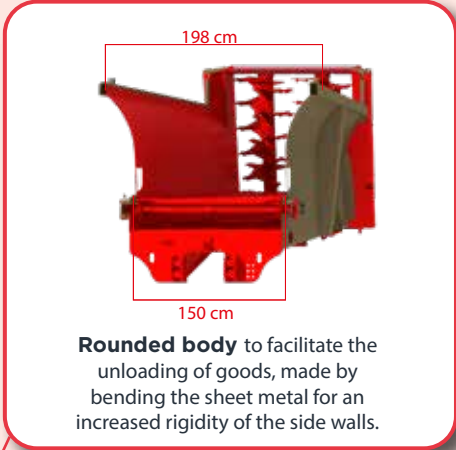


Composting canopy





Reversible interchangeable blades in HARDOX 450



Rounded body to facilitate the unloading of goods, made by bending the sheet metal for an increased rigidity of the side walls.

Simplified DPA with Ferti 500 control box



Precise DPA with Ferti 4000 control box



DPA (proportional flow): automatic regulation of the moving floor speed according to the door opening (except Ferti 500) and driving speed.



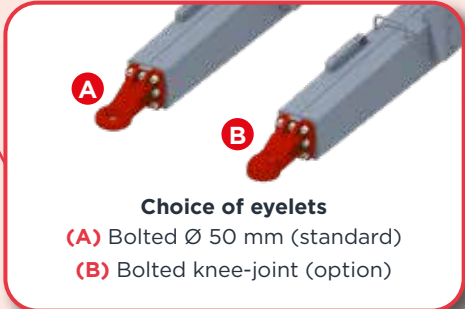
Digital work counter



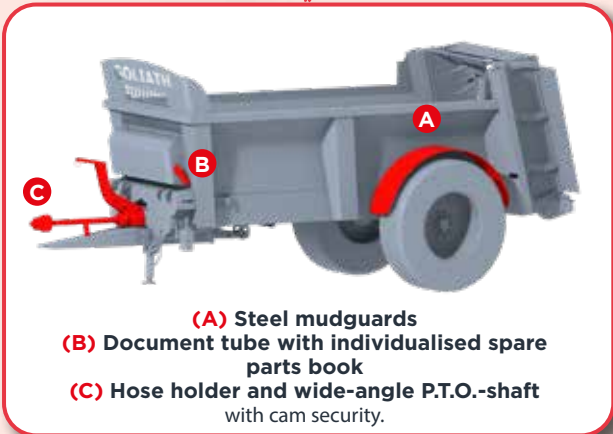
Headboard with self-cleaning grate.



Hydraulic installation with electric control, 140 l tank and electrohydraulic system protected under the hood.



Choice of eyelets (A) Bolted Ø 50 mm (standard) (B) Bolted knee-joint (option)



(A) Steel mudguards (B) Document tube with individualised spare parts book (C) Hose holder and wide-angle P.T.O.-shaft with cam security.



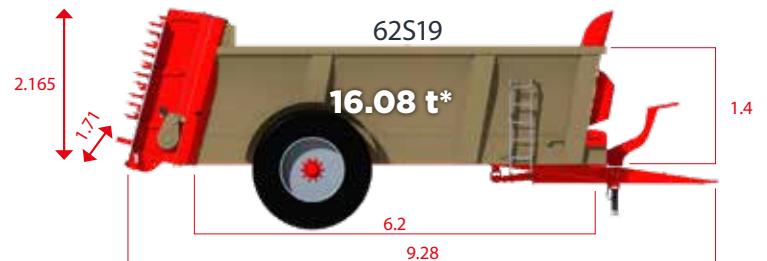
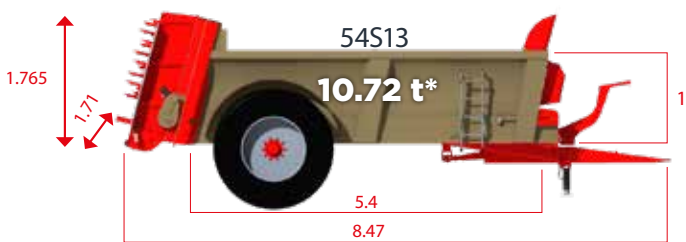
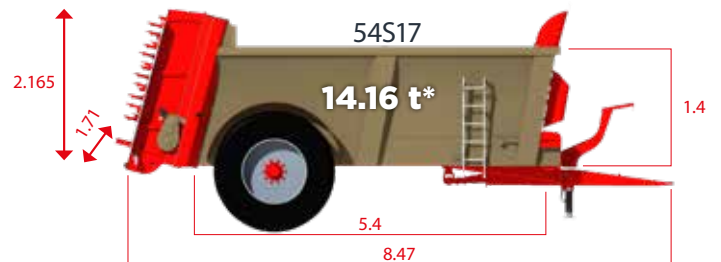
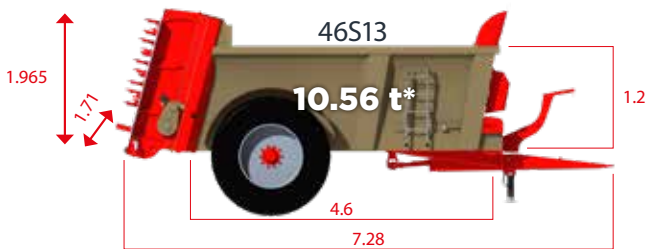
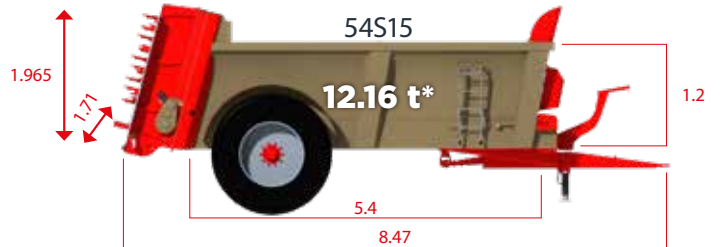
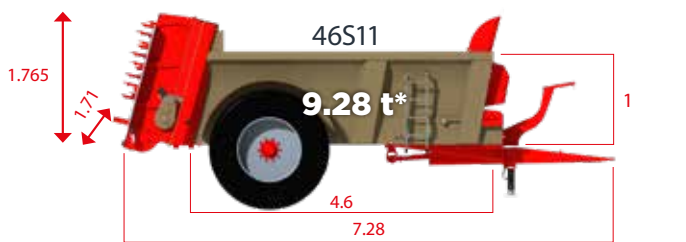
Hydraulic moving floor tensioner with automatic tensioning safety device.



GOLIATH evolution

- ✓ Single or double axle, from 10.7 to 24.3 m³
- ✓ Designed to withstand the toughest working conditions over time

The dimensions below are given in meters (m).



*Capacity (in t) for manure with a density of 0.8 t/m³.

Goliath, a muck spreader that nothing stops!



JLB leboulch

Route de Guernanville, 27330 La Vieille-Lyre (France)

Tel.: +33 2 32 30 67 47

E-mail: info@leboulch.com

www.leboulch.com

